

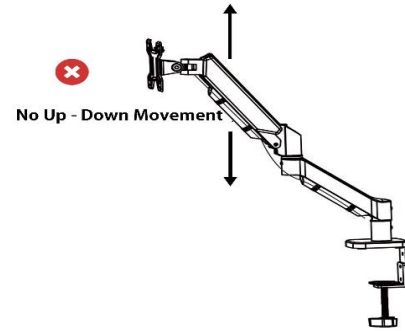
User Manual: Gas Spring Arm Up/Down Adjustments

The gas spring arm part has three settings for adjusting its movement (Up/Down) and positioning. Follow the steps below to set each mode:

1. Fixed Mode (Default Setting)

In this mode, the arm remains fixed in its position and does not move.

- **Default Setting:** The arm is pre-set to this mode.

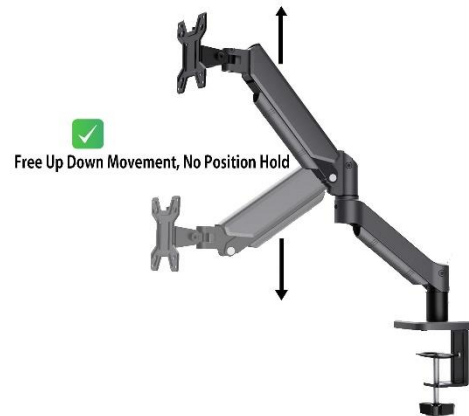


2. Flexible & No Position Hold

In this mode, the gas spring allows the arm to move freely up and down, but after releasing the pressure, the arm will return to its default position.

To Set Flexible & No Position Hold:

1. Attach monitor with the arm & move the arm up/down to check its current setting.
2. Locate the spring adjust switch on the arm.
3. Using the L key provided, move the spring adjust switch to the "+" side.
4. The gas spring arm should now move freely up and down.
5. When pressure is released, the arm will return to its default position.

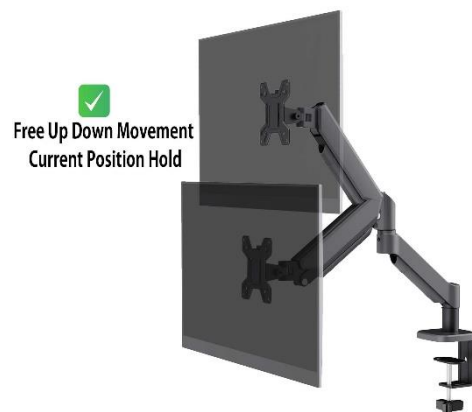


3. Flexible & Position Hold

In this mode, the gas spring allows the arm to move freely up and down, and it will hold its position after releasing the pressure. The arm will stay at its set position and will not return to its default position. **Please make sure to attach the monitor before setting this position.**

To Set Flexible & Position Hold:

1. Attach monitor with the arm & move the arm up/down to check its current setting.
2. Locate the spring adjust switch on the arm.
3. Move the spring adjust switch to the "+" side.
4. Adjust the arm height to your desired position.
5. Move the spring adjust switch to the "-" side 2-3 times.
6. The arm can now be moved freely and will hold its position at any height.



By following these instructions, you can easily adjust the gas spring monitor arm to your preferred setting for optimal comfort and usability.

To watch the installation video, please scan the QR code:

